

E U R U S
Options & Accessories

E U R U S Options & Accessories

● Standard | ○ Selectable | - Not available | PD Pedestal type only

Chair



Double articulating headrest



Power headrest

Dentist Element



Holder type



Rod type



Place type



Syringe Belmont BT14 & 77



Belmont handpiece



Wireless Foot controller

Unit Body



Vacuum handpiece & Saliva ejector Belmont & Durr



Twin Vacuum(Two solid correctors)



Sensored Cupfiller



Clean water system with 2 liter bottle



LED indicator



Separated Junction Box



Monitor bracket (not incl.monitor)



Vacuum line clean system (Pedestal type only)

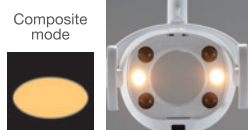
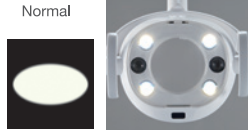


Flushing system (Integrated type)

Light



Patient mirror



Stool



Stool for Dentist

Chair	S1 & S3 Contour	S4 Folding legrest
Double articulating headrest	○	○
Power Headrest	○	○
Armrest at left side only (Fixed)	○	-
Armrest at both side, Left side fixed & Right side rotated	○	●
Integrated stick switch (2 Controls, Manual & Auto mode chair switch)	○	-
Integrated stick switch (3 Controls, Manual, Auto mode chair switch & Power headrest)	○	●
Upholstery Seam type	○	○
Upholstery Luxury Seam type	○	○
Upholstery Seamless type	○	○

Dentist Element	Holder/Place	Rod
Touch panel screen, 5 inch	●	●
Large table with silicon mat	●	-
Small size tray holder (size: 290x190mm)	-	○
Large size tray holder (size: 380x290mm)	-	○
3-way syringe	○	○
6-way syringe	○	○
Midwest 4-way turbine hose	○	○
Midwest 4-way turbine hose with fiber optic	○	○
Micro motor (Air/Electric)	○	○
Scaler (Air/Electric)	○	○
Water heater for handpiece	○	○
Foot controller (wired)	○	○
Foot controller (wireless)	○	○
Intra oral camera	○	○
USB Port	○	○
Stainless Waste Receptacle/ Cotton Container with Stand /Vials x 5pcs with Stand	○	○
Intra oral Film viewer	○	○
Panorama Film viewer	○	○
Curing light	○	○

Assistant Element	Holder/Place	Rod
Standard type Assistant arm	○	○
Ratchet gear type Assistant arm	○	○
3-way syringe	○	○
Vacuum & Saliva ejector handpiece	○	○
Twin Vacuum	○	○

Unit Body	Holder/Place	Rod
Electric timered Cupfiller & Bowl flush	○	○
Sensored Cupfiller & Bowl flush	○	○
LED indicator	○	○
Rotating cuspidor bowl, porcelain	●	●
Water heater 24V	○	○
Water disinfection system	○	○
Clean water system with 2 liters water tank	○	○
Separator	○	○
Amalgam separator	○	○
Vacuum line clean system	○ / PD	○ / PD
Flushing system without flushing tray	●	●
Flushing system with flushing tray	○	○
Flushing system (Integrated type)	○	○
Monitor bracket	○	○
Service outlet	●	●
Connector for Water	○	○
Service outlet/Connector for Air	○	○
Separated Junction Box	○	○

Light	
Eurus Light	●
Patient mirror	○

Stool	
Eurus Stool for Dentist	○
Eurus Stool for Assistant	○

Dimensions

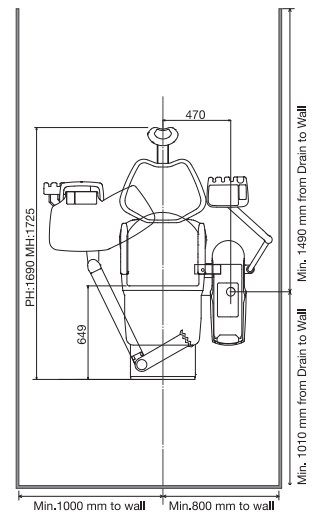
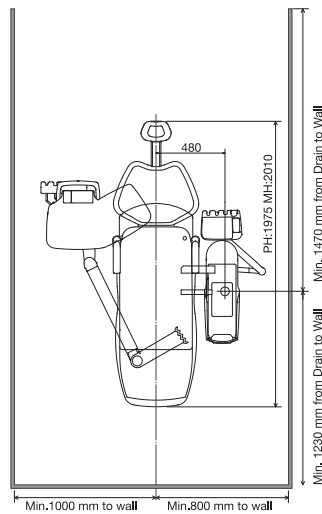
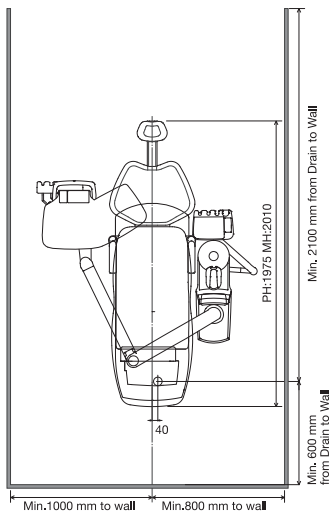
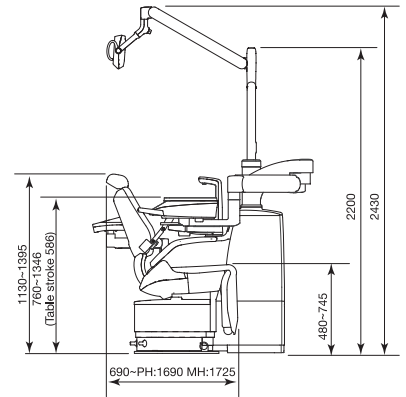
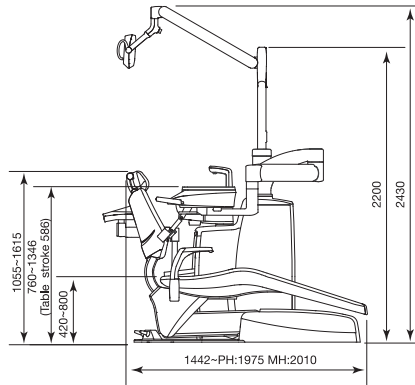
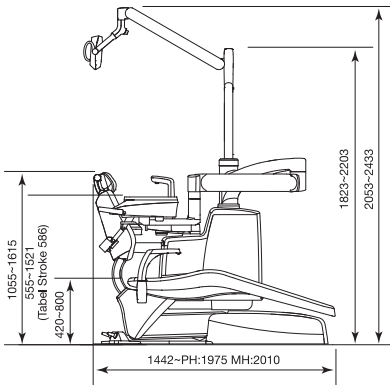
S1



S3



S4



<http://www.takarabelmont.co.jp/global/dental/>

TAKARA BELMONT CORPORATION 2-1-1,HIGASHISHINSAIBASHI,CHUO-KU,OSAKA,542-0083,JAPAN +81-6-6213-5945

The specifications and colors are subject to change without notice.

REF D-071GB 1902003A MI